



STAINLESS STEEL MEAT GRINDER



This unit provides high efficiency of grinding process and reduce the working time for high volume production

MODEL: KG-22-SS

- Stainless Steel construction.
- High capacity head.
- Washerless grinding system.
- Powerful gear transmission.





RESISTANT

High grade stainless steel construction, high corrosion resistant and easy to clean allowing a hygienic operation and a professional presentation.



HIGH VOLUME CAPACITY

Its high capacity head holds bigger pieces into the grinding system, avoiding down time in cutting in to smaller pices.



LIGHT AND ROUGH

The new design of grinding unit makes it easy to maneuver and more resistant than ever.



SAFETY OPERATION

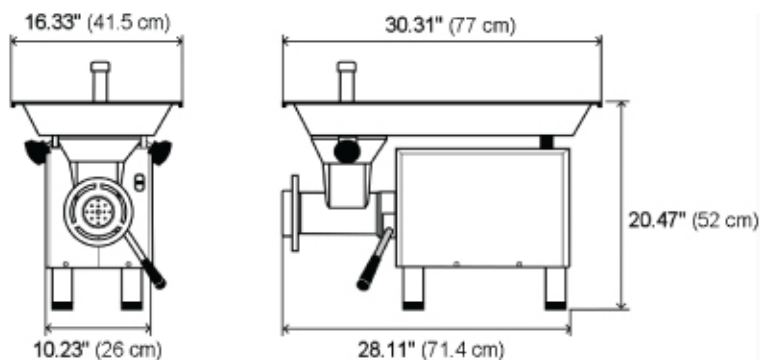
The M-22-RSS are equipped with a safety protector guard in the feeding area.



REMOVABLE WITHOUT TOOLS

Its practical grinding system and feeding pan can be completely dismantled in a few minutes without tools.

DIMENSIONS



SPECIFICATIONS:

MODEL	KG-22-SS
MOTOR	1 HP or 2 HP
VOLTS	110/220 v
FREQUENCY	50/60 hz.
NET WEIGHT	60.5 kg/ 133.38 lb
SHIPPING WEIGHT	74 kg/ 163.14 lb
LEVELING FEET	YES



EASY TO CLEAN

Exclusive stainless steel grinding unit helps to save time during cleaning

■ HYGIENE AND QUALITY.

Excellent presentation on hygiene and quality, as this equipment is stainless steel construction which make it more hygienic and resistant.

■ SAVE TIME AND MONEY

Designed for one person to operate on a safe and easy way.

■ MINIMUM MAINTENANCE

Powerful oil bathed steel gears transmission, with no belts or pulleys to maintain

