

# HOLLYMATIC 900E MIXER/GRINDER



## A NEW CONCEPT IN MIXER/GRINDERS

What a great combination! The 900E Mixer/Grinder from Hollymatic has a lot going for it. From its easy loading/unloading profile to its stainless steel mixing ribbon, feed screw, grinding head and conical hopper, the 900E is a perfect fit for today's demanding meat room environment.

The 900E is not only user friendly but innovative in its design as well. The feed screw operates at right angles to the hopper. This ensures minimum feed screw exposure to the product, and minimal temperature build up. This translates into extended shelf life and better product bloom and presentation.

With its automatic reverse mixing ribbon the 900E ensures a homogeneous eye appealing product. And this mixer/grinder is a snap to clean after each operation.

For more information contact Hollymatic or your local Hollymatic dealer today.

Hollymatic Corporation  
600 E. Plainfield Road  
Countryside, IL 60525  
708/579-3700 Fax: 708-579-1057  
Web Site: [www.hollymatic.com](http://www.hollymatic.com)  
E-mail: [hollyinfo@hollymatic.com](mailto:hollyinfo@hollymatic.com)



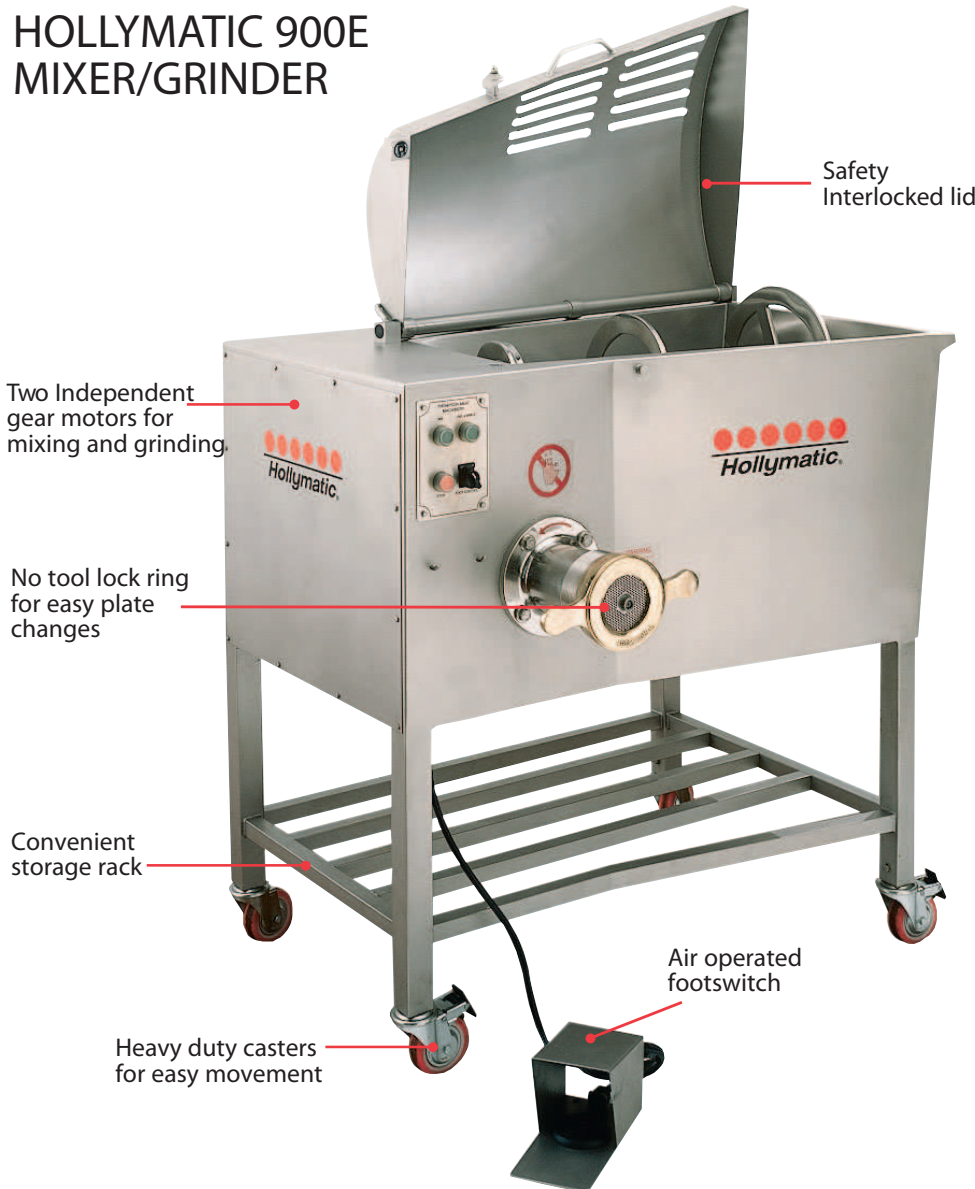
*Gemini Systems*



**Hollymatic®**

YOUR PRICE VALUE LEADER™

# HOLLYMATIC 900E MIXER/GRINDER



Convenient on/off and mix/grind push button controls

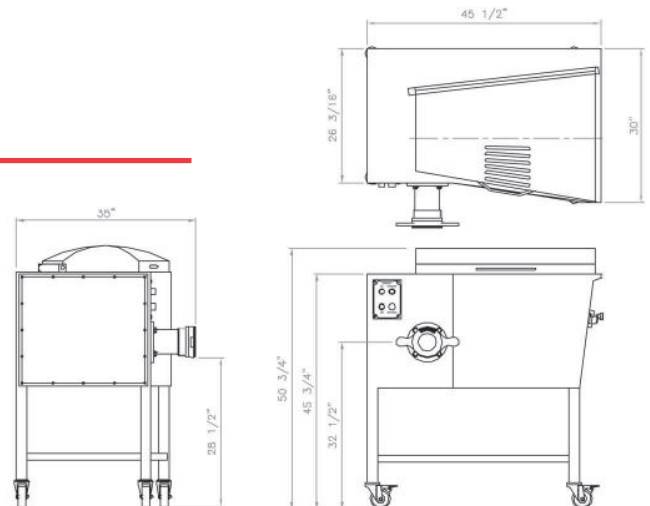


Conical hopper, mixing ribbon feedscrew and grinding head are all made of smooth finished stainless steel.

## SPECIFICATIONS

- Hopper Capacity ..... 200 lbs.
- Grinding Head Size ..... 32/42
- Production Capacity .... Up to 65 lb/min. Second Grind Depending On Product and Plate Size
- Gear Motors (Grinding) 7-1/2 H.P., (Mixing) 1-1/2 H.P.,
- Variable Speed 200-240v, 60Hz/3Ph
- Recommended Circuit... 50 Amps, FLA-18.4
- Net Weight..... 594 lbs.
- Footswitch..... Air Operated
- Meat Deflector

Optional: Gemini System, Interface Connection Allows For Two Grinder Continuous Operation.



**HOLLYMATIC WARRANTY**  
Six (6) months from date of purchase. Refer to warranty certificate for terms and conditions

Hollymatic Corporation  
600 E. Plainfield Road, Countryside, Illinois 60525  
708/579-3700 Fax: 708/579-1057  
Web Site: [www.hollymatic.com](http://www.hollymatic.com)  
E-mail: [hollyinfo@hollymatic.com](mailto:hollyinfo@hollymatic.com)



YOUR PRICE VALUE LEADER™